

1. Table of Contents (This Page)
Created on Sun Aug 15 20:01:06 2010

2. component

3. solder

4. plated-drill

5. componentmask

6. soldermask

7. topsilk

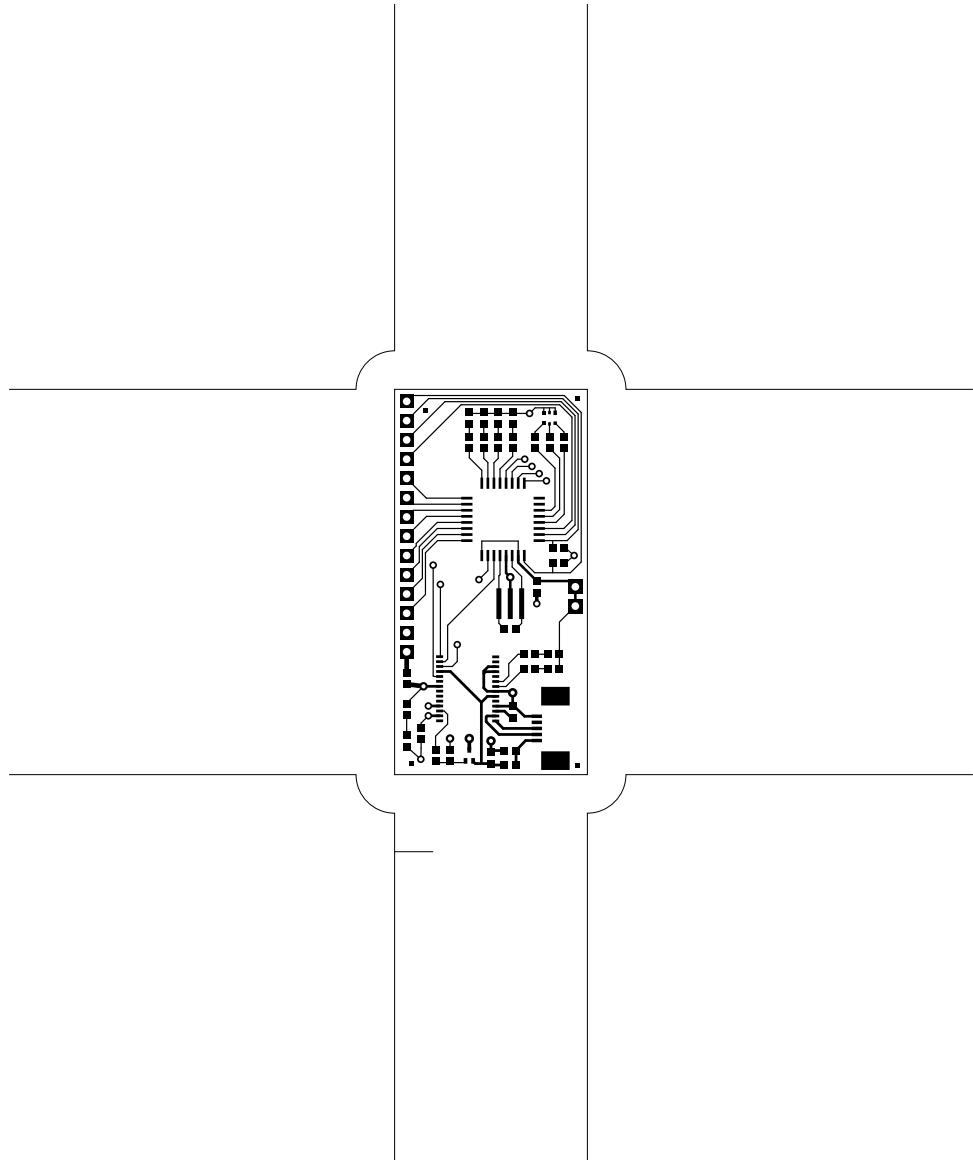
8. bottomsilk

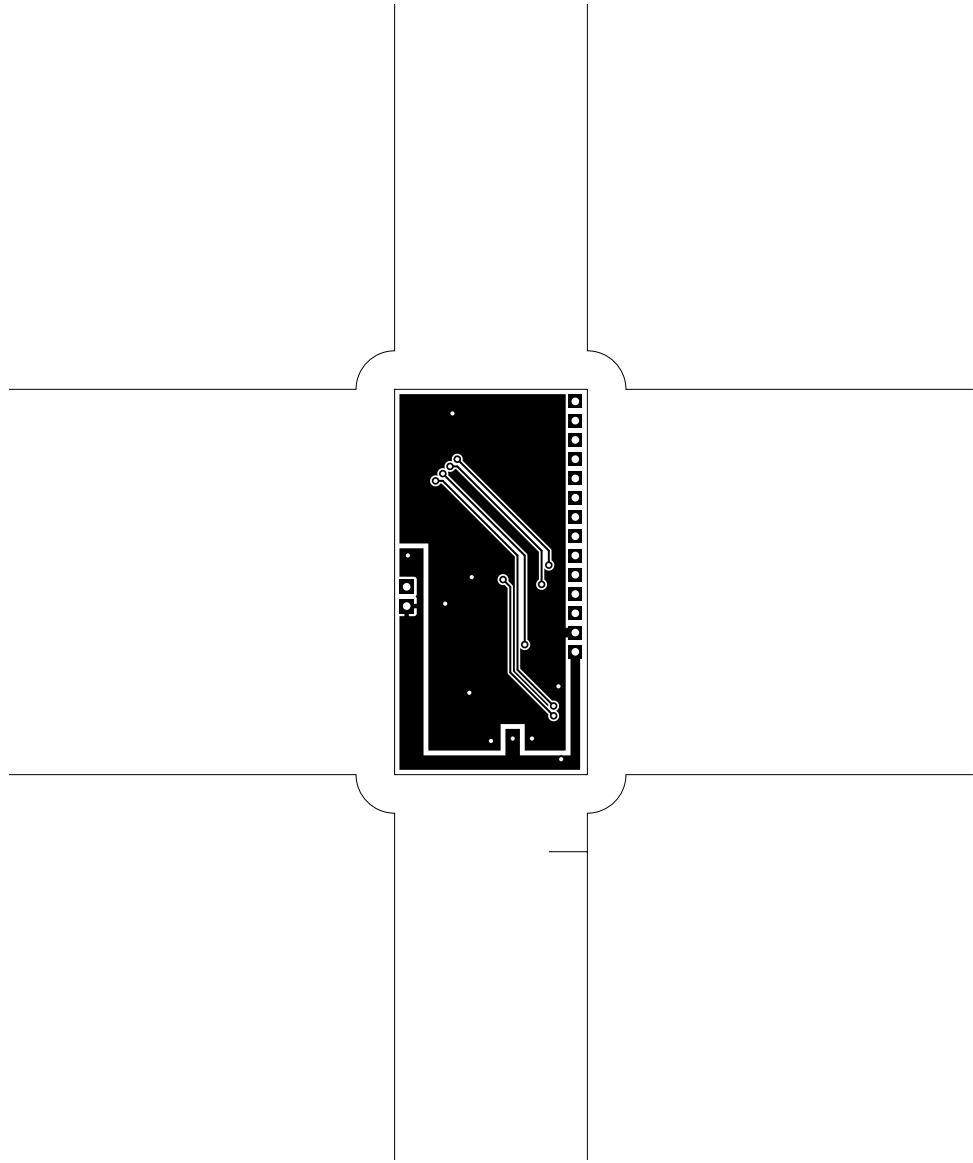
9. toppaste

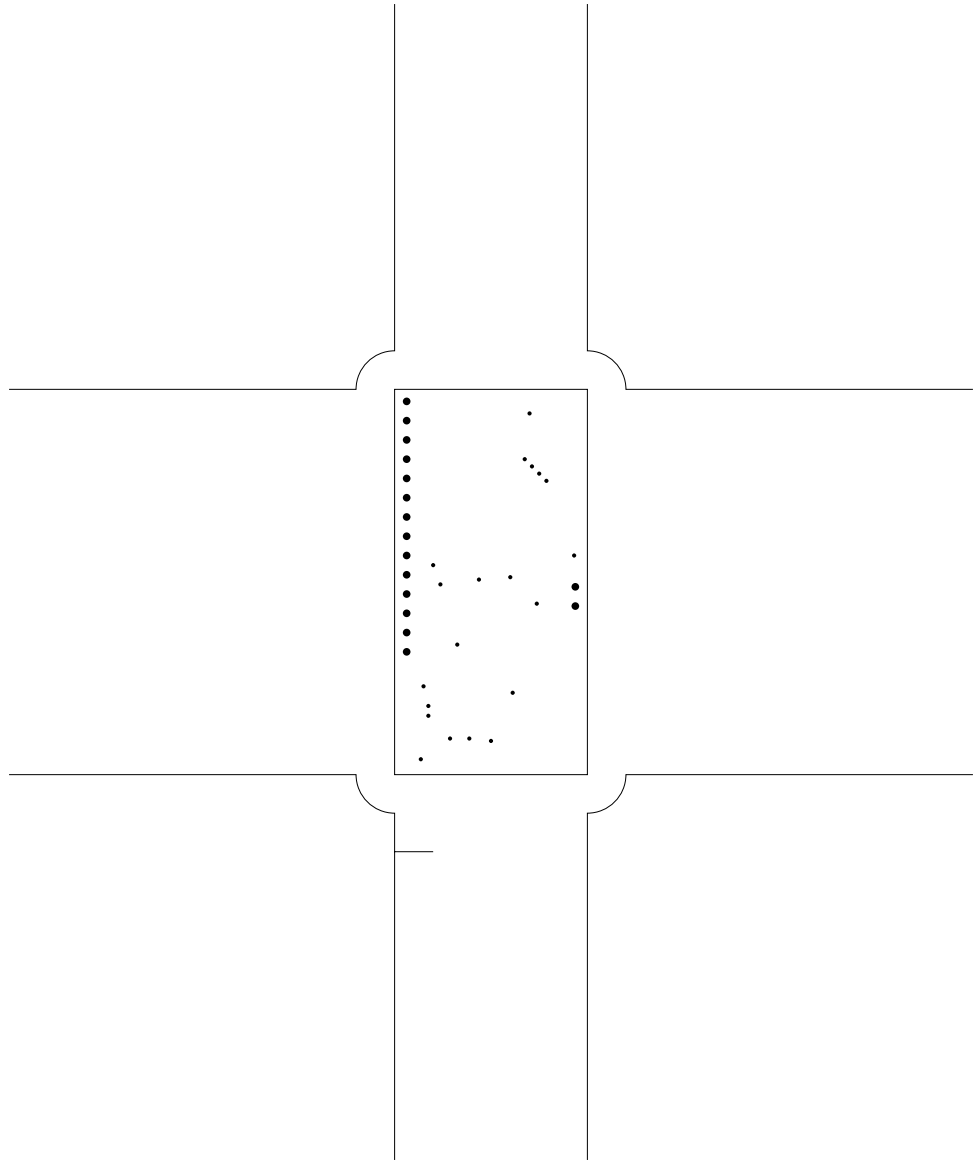
10. topassembly

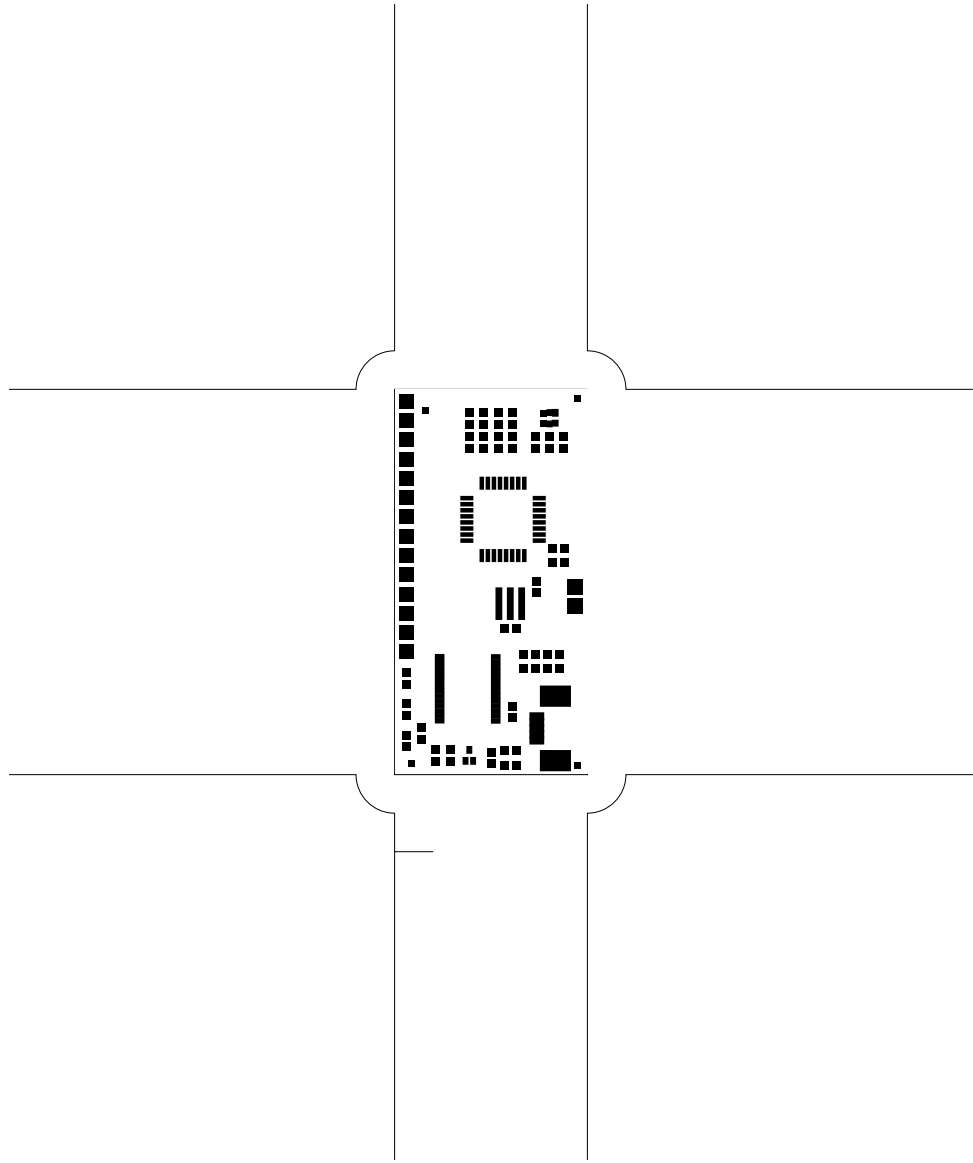
11. bottomassembly

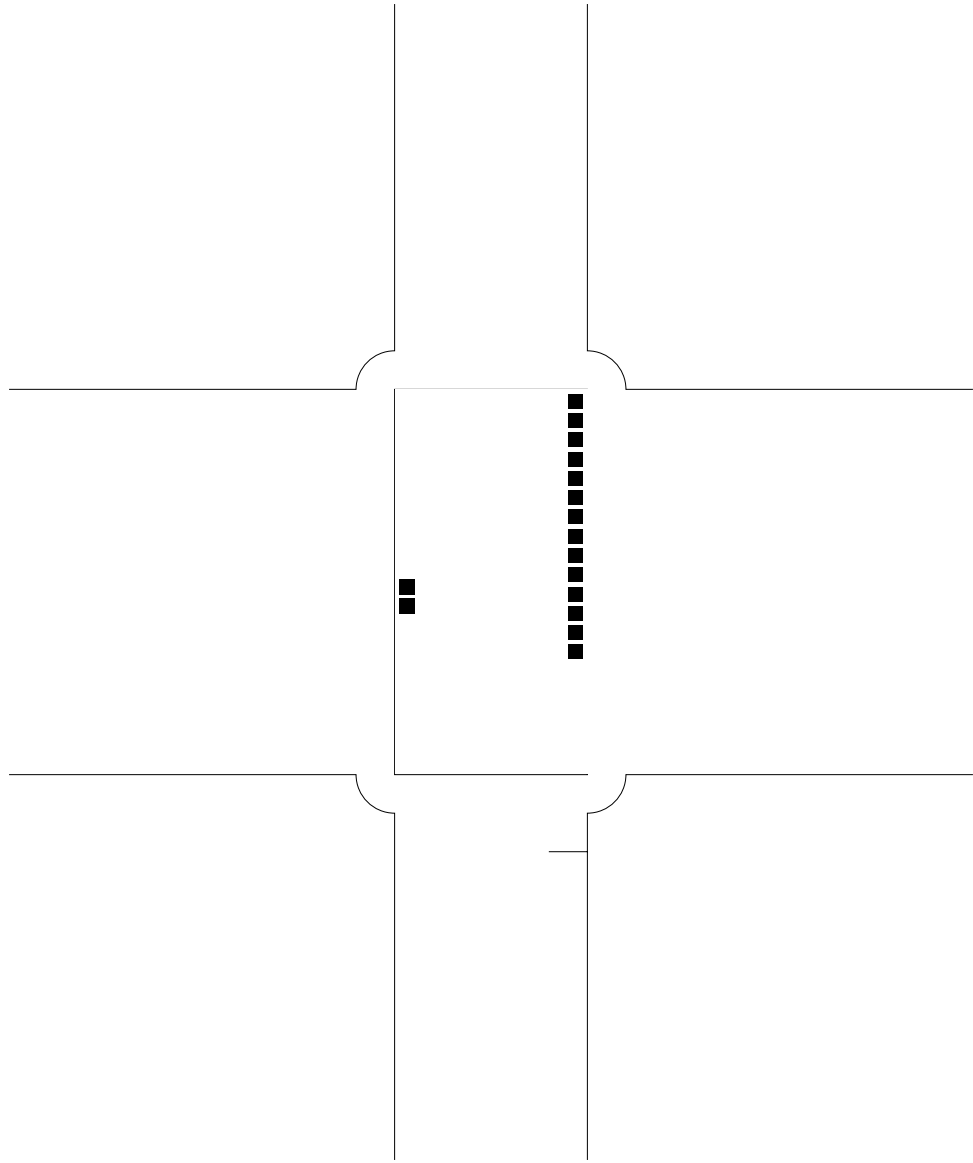
12. fab

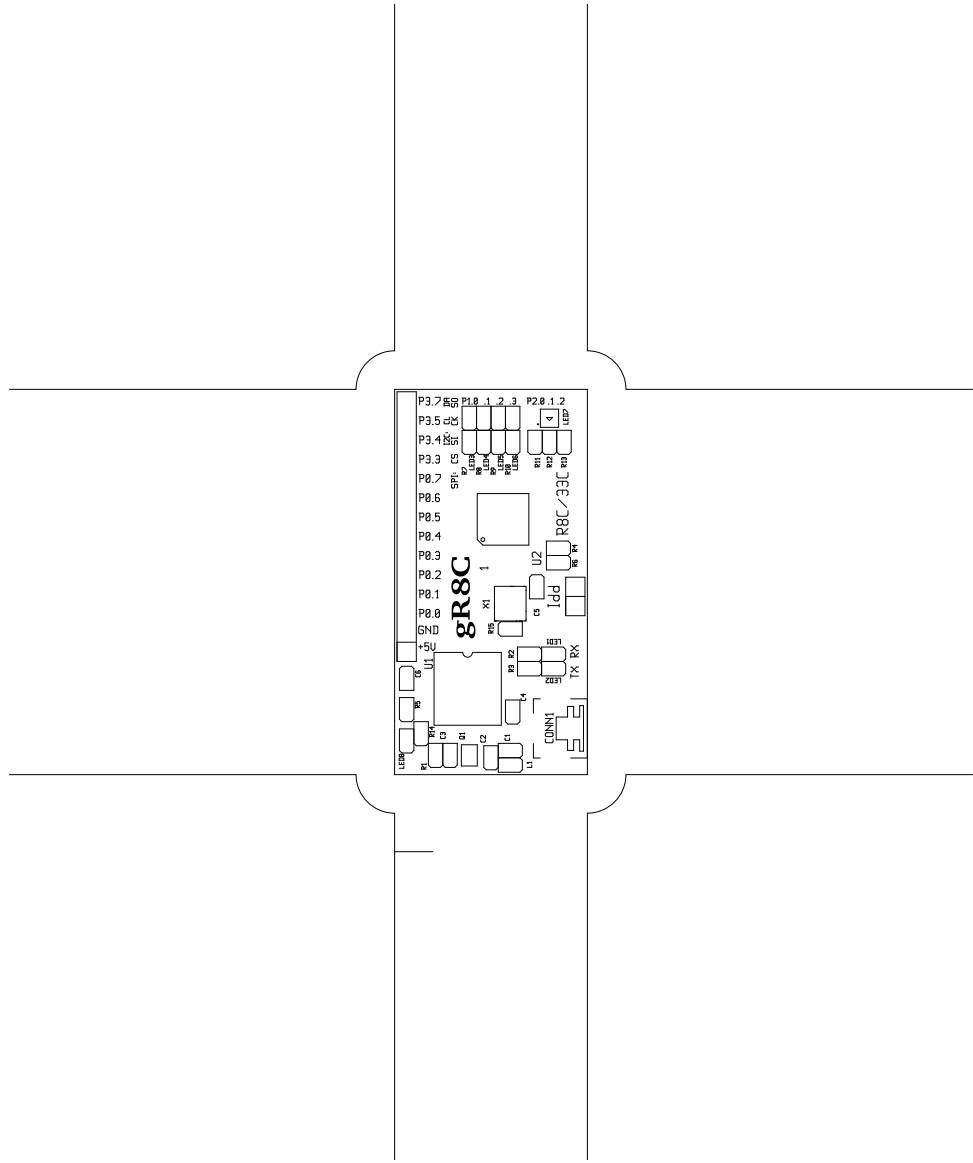


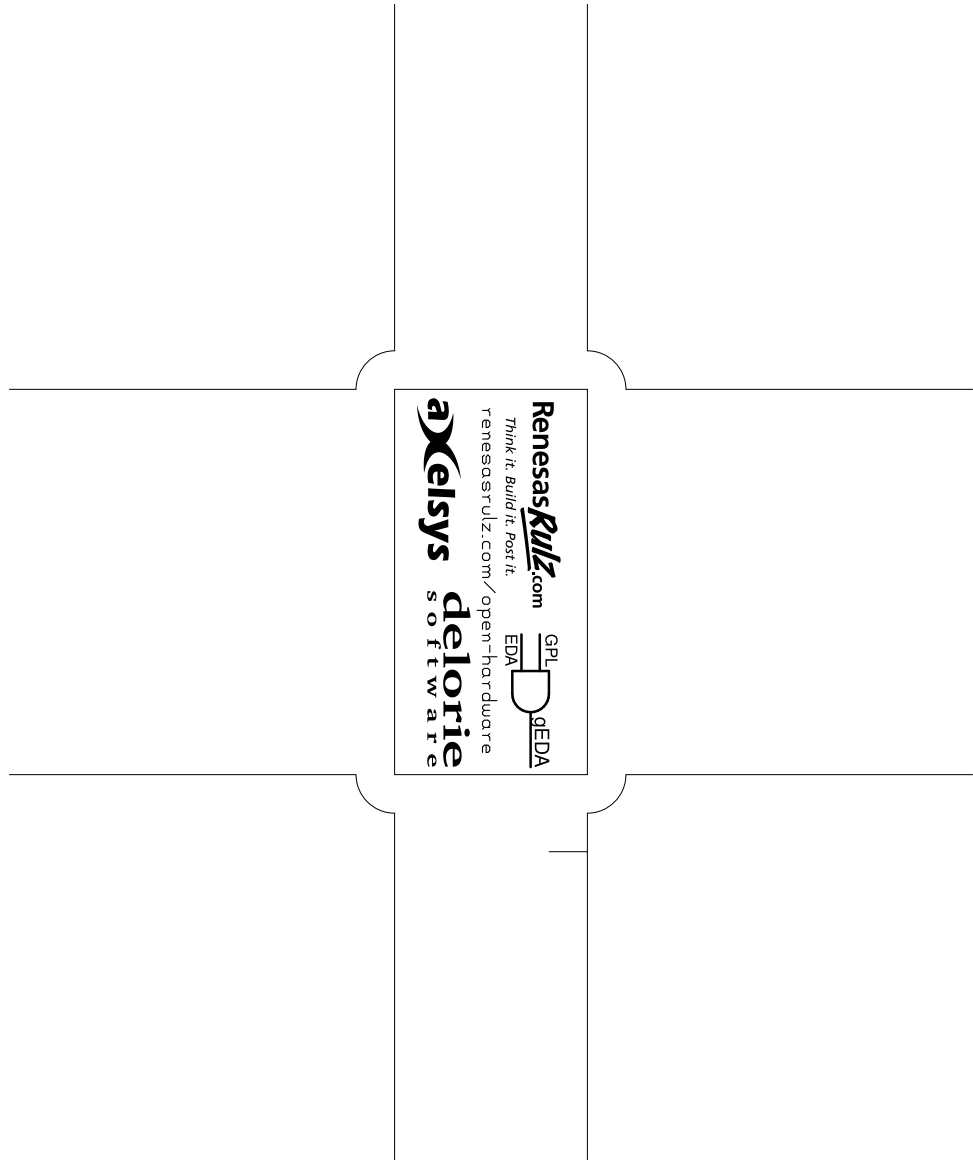


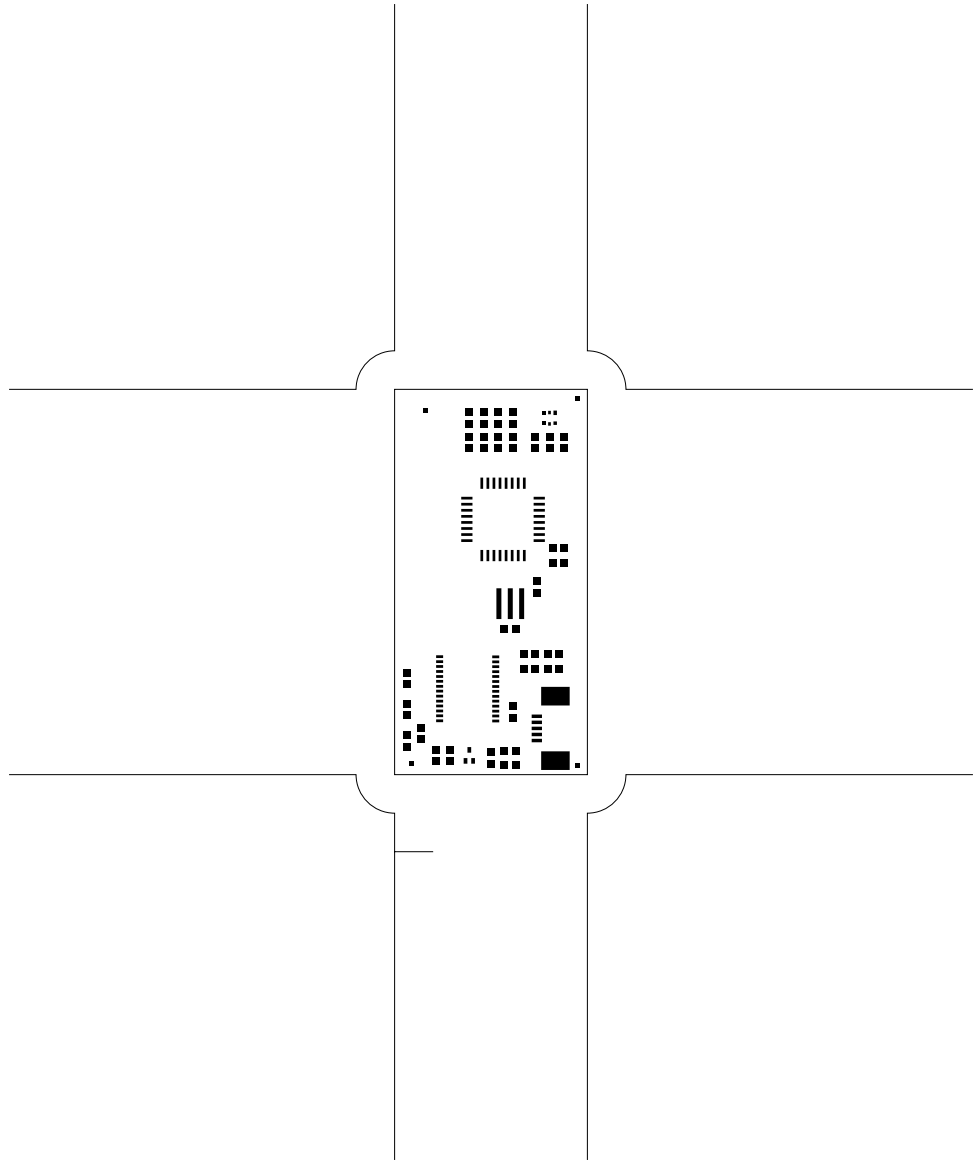


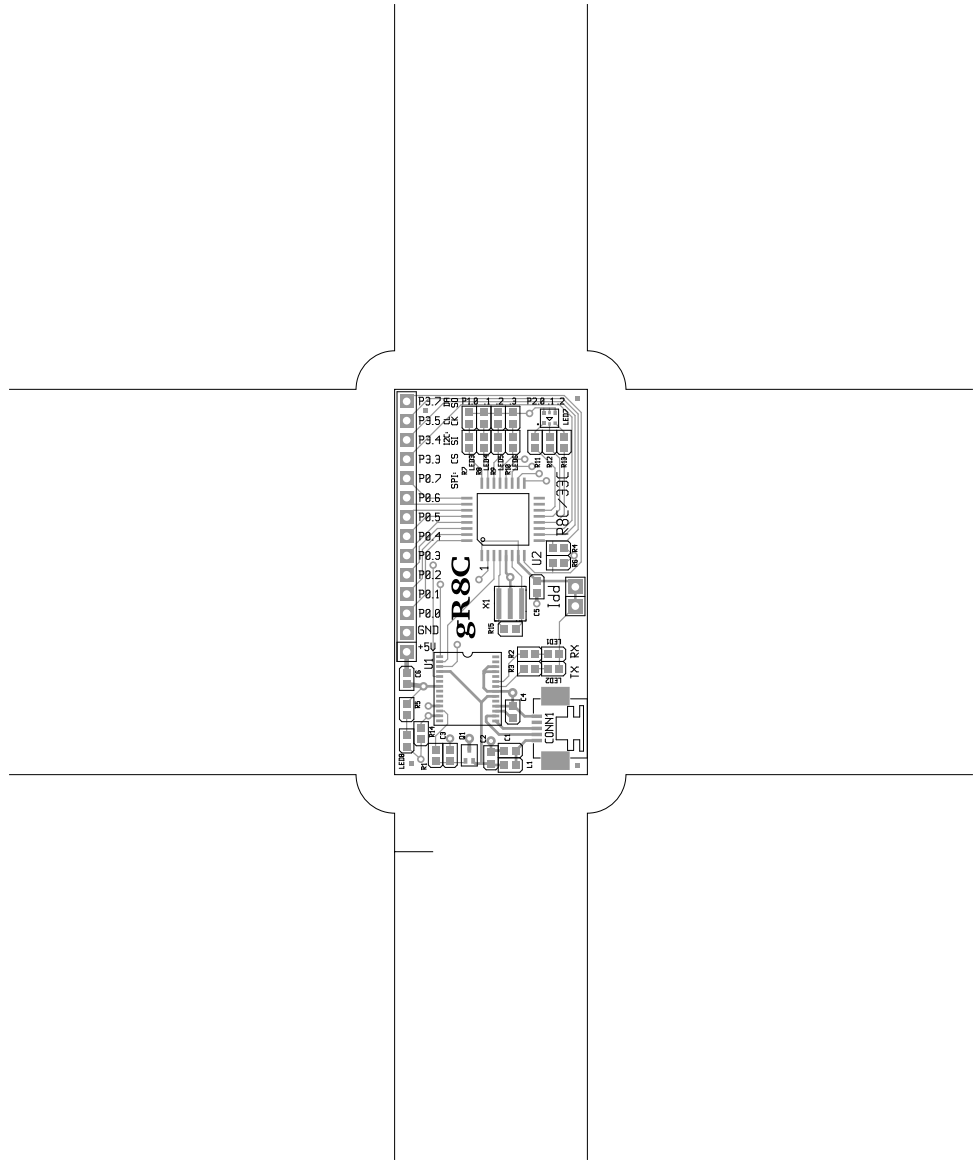




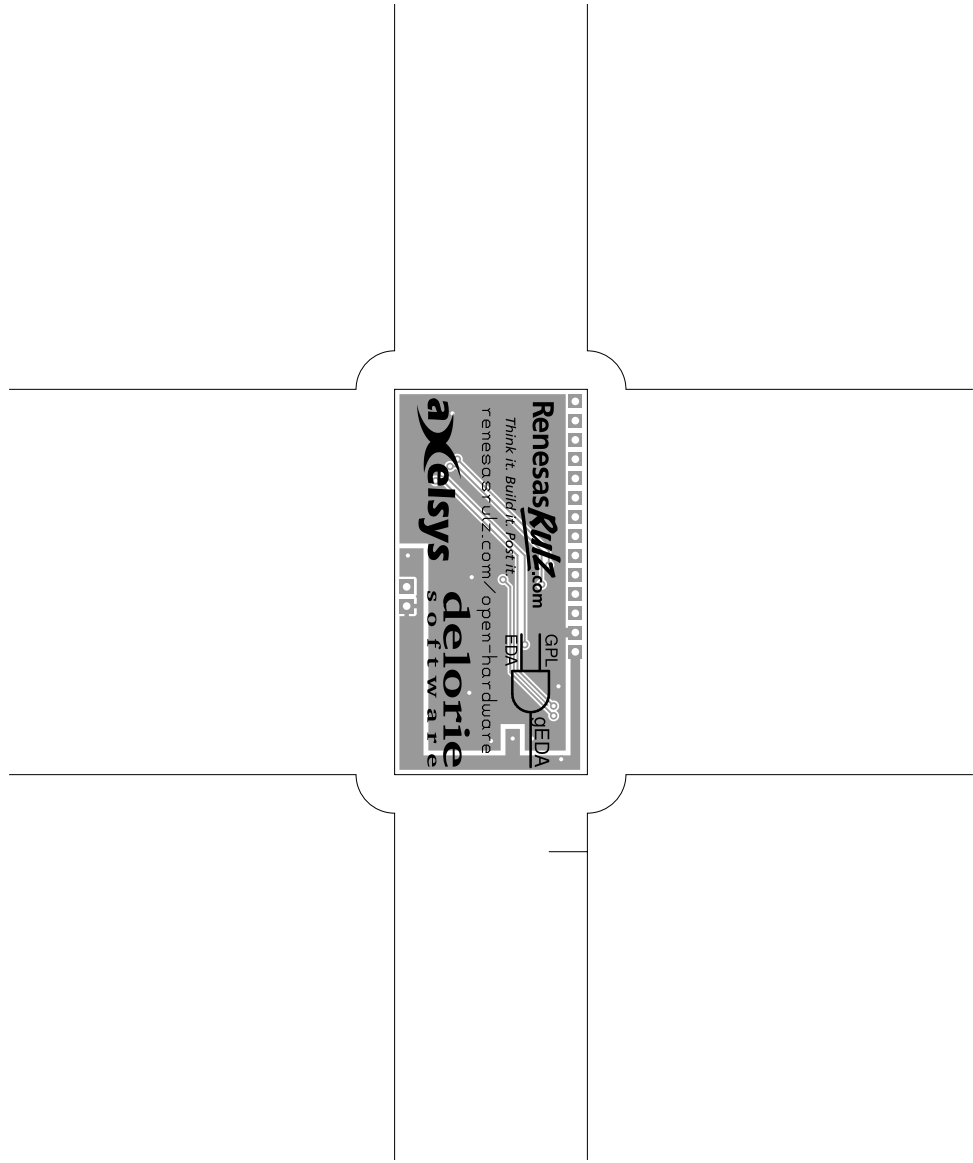








RULZ-R8C33C, frontassembly, scale = 1:1.000
rulz-r8c33.pcb



There are 2 different drill sizes used in this layout, 36 holes total

Symbol Diam. (Inch) Count Plated?

Y 0.020 20 YES

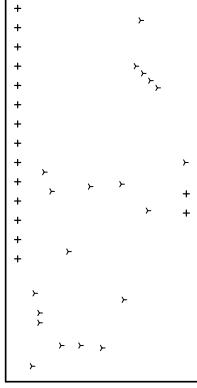
+ 0.038 16 YES

Title: RULZ-R8C33C - Fabrication Drawing

Author: DJ Delorie

Date: Mon Aug 16 00:01:06 2010 UTC

Maximum Dimensions: 2000 mils wide, 1000 mils high



Board outline is the centerline of this 10 mil rectangle - 0.0 to 2000,1000 mils